



## SLF1106 SERIES ~ SMD Common Mode Filter



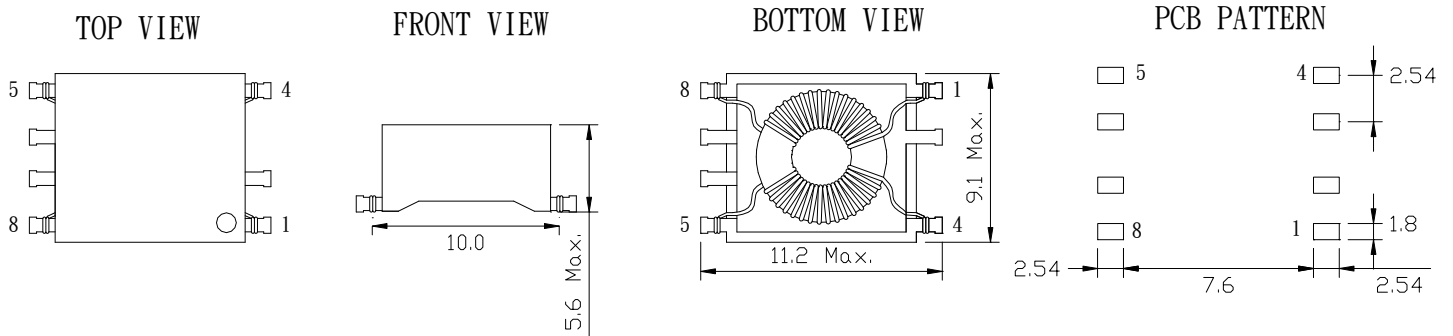
RoHS Compliant

### PART NUMBERING SYSTEM

<b>SLF</b>	<b>1106</b>	-	<b>350Y</b>	-	<b>LF</b>
TYPE	DIMENSIONS		INDUCTANCE		LEAD FREE

### SHAPES , DIMENSIONS AND PCB LAYOUT

UNIT : mm



### FEATURES

- Compact design.
- Single layer winding for minimum capacitance.
- Meets UL 94V-0 flammability standard.
- In addition to the standard values shown, we can custom engineer parts for specific applications.



## SLF1206 SERIES ~ SMD Lind Filter



RoHS Compliant

### SPECIFICATION TABLE

PART NUMBER	INDUCTANCE ( $\mu$ H)	DCR(m $\Omega$ ) (Max.)	Rated Current ( A )	Test Frequency ( KHz )
SLF1106-100N-LF	10 $\pm$ 30%	25	2.50	10KHz, 10mV
SLF1106-150N-LF	15 $\pm$ 30%	40	2.00	10KHz, 10mV
SLF1106-200N-LF	20 $\pm$ 30%	70	1.50	10KHz, 10mV
SLF1106-121N-LF	120 $\pm$ 30%	25	2.50	10KHz, 10mV
SLF1106-201N-LF	200 $\pm$ 30%	40	2.00	10KHz, 10mV
SLF1106-301N-LF	300 $\pm$ 30%	70	1.50	10KHz, 10mV

- Test equipment : HP4284A Precision LCR meter
- Rated current : the current that raises the coil temperature by 40°C (reference ambient temperature 20°C)
- Operating temperature range -25°C to +85°C .